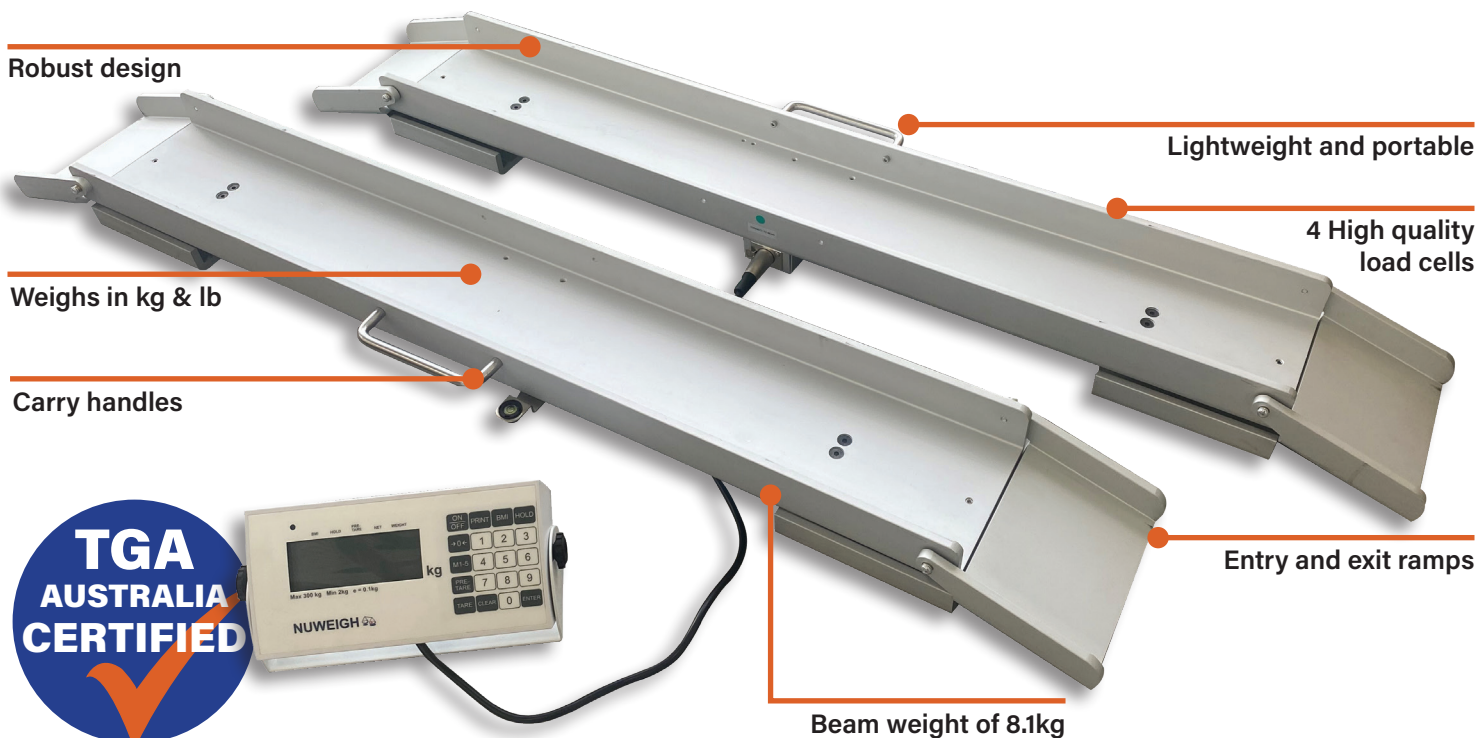


NUWEIGH®

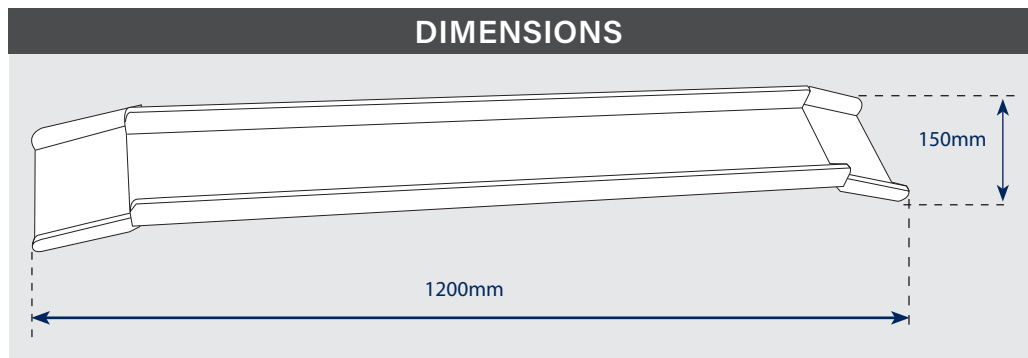
LOG-984 WHEEL CHAIR SCALE



PRE-TARE FUNCTION
Allows the user to manually enter the wheel chair weight prior to weighing the patient.

INDICATOR FEATURES	
TARE	PRE TARE
ON/OFF	BMI
CLEAR	HOLD

SPECIFICATIONS			
MODEL	INV.#	CAPACITY	RESOLUTION
LOG-984	1712	300kg	100g



NUWEIGH® AUSTRALIA
NATIONAL SERVICE AND SALES NSW | VIC | ACT | QLD | NT | SA | WA | TAS
1300 885 746 | sales@nuweigh.com.au | www.nuweigh.com.au
Newcastle Weighing Services EST.1976 | ABN 36 001 344 430